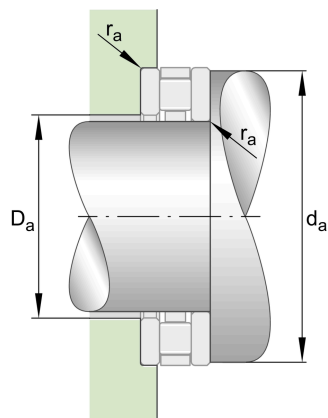
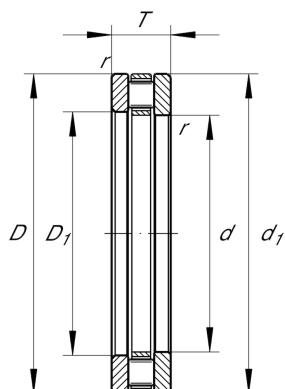
**81107-TV**

Axial cylindrical roller bearing

Schaeffler ID:
0002403030000Axial cylindrical roller bearings 811, single
direction, comprising K811, GS, WS

Technical information

**Main Dimensions & Performance Data**

d	35 mm	Bore diameter
D	52 mm	Outside diameter
T	12 mm	Height
C_a	39,000 N	Basic dynamic load rating, axial
C_{0a}	101,000 N	Basic static load rating, axial
C_{ua}	9,600 N	Fatigue load limit, axial
n_G	6,600 1/min	Limiting speed
n_{gr}	2,600 1/min	Reference speed
	74 g	Weight

Additional information

	K81107-TV	Axial roller and cage assembly
D_1	37 mm	Bore diameter housing washer
	GS81107	Housing Washer
d_1	52 mm	Rip diameter shaft washer
	WS81107	Shaft washer
	LS3552	Track Washer
r_{min}	0.6 mm	Minimum chamfer dimension

Mounting dimensions

$d_{a min}$	51 mm	Minimum diameter shaft shoulder
$D_{a max}$	36 mm	Maximum diameter of housing shoulder
$r_{a max}$	0.6 mm	Maximum recess radius

Temperature range

T_{min}	120 °C	Operating temperature min.
T_{max}	-30 °C	Operating temperature max.